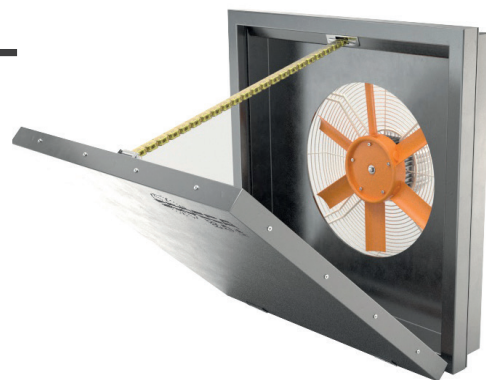


WALL/AXIAL



Dynamic wall-mount axial extract fans fitted with motorised hatch.

Wall-mounted axial fans with an impeller made of fibreglass-reinforced plastic and a motorised opening function. Suitable for installation in industrial or commercial buildings. Can be used for ambient ventilation.

Fan:

- An extremely robust structure that is able to withstand severe weather changes.
- Equipment structure made of anti-corrosive galvanised sheet steel.
- Water-tight design to prevent water entry.
- Heat insulation of 60 mm to prevent hot air loss in the winter.
- The wall mount bracket and helical ring support stand permit allow for correct, easy installation.
- Limit switch.
- Sheet steel support base.
- Fibreglass-reinforced polyamide-6 impeller.
- Anti-contact protective grille pursuant to standard UNE-EN ISO 12499.
- In the 71 models, the protective grille is supplied as an accessory.
- Airflow direction from motor to impeller.

Motor:

- IE3 efficiency motors for powers equal to or greater than 0.75kW except single-phase, 2-speed and 8-pole.
- Class F motors with ball bearings and IP55 protection.

- Single-phase 230V-50Hz and three-phase 230/400V-50Hz (up to 4kW) and 400/690V 50Hz (powers greater than 4kW).
- Operating temperature: -25°C +60°C.

Finish:

- Anti-corrosive finish on galvanised sheet steel.

Available versions:

- AI: Hatch attached at the top part, motor-impeller air direction for air extract from premises.
- AA: Hatch attached at the top part, impeller-motor air direction for air entry to premises.

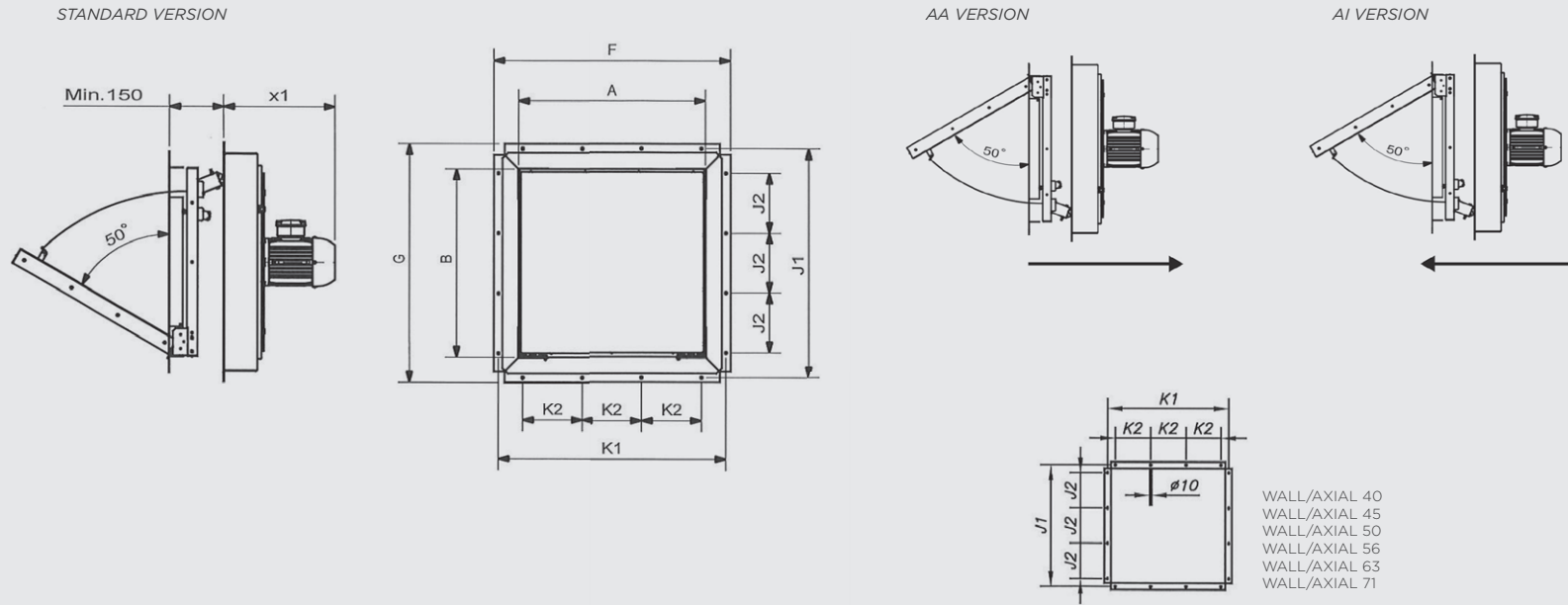
On request:

- Anti-corrosive paint finish, in the colour requested by the client.
- Motorised opening arms with supply voltage of 24V. DC



| Model | Speed (r/min) | Max. admissible current (A) | | Installed power (kW) | Max. airflow (m³/h) | Sound pressure level dB(A) | Approx. weight (kg) | According to ErP |
|----------------------|------------------|--------------------------------|-------|-------------------------|------------------------|-------------------------------|------------------------|------------------|
| | | 230 V | 400 V | | | | | |
| WALL/AXIAL-40-4T | 1350 | 1.66 | 0.96 | 0.25 | 5200 | 63 | 43 | 2015 |
| WALL/AXIAL-45-4T | 1370 | 2.02 | 1.17 | 0.37 | 7300 | 66 | 47 | 2015 |
| WALL/AXIAL-50-4T | 1380 | 2.92 | 1.69 | 0.55 | 10200 | 69 | 58 | 2015 |
| WALL/AXIAL-50-6T | 900 | 2.24 | 1.30 | 0.37 | 6300 | 59 | 58 | 2015 |
| WALL/AXIAL-56-4T IE3 | 1455 | 4.07 | 2.34 | 1.10 | 13000 | 72 | 69 | 2015 |
| WALL/AXIAL-56-6T | 900 | 2.24 | 1.30 | 0.37 | 8300 | 61 | 60 | 2015 |
| WALL/AXIAL-63-4T IE3 | 1455 | 4.07 | 2.34 | 1.10 | 16450 | 74 | 100 | 2015 |
| WALL/AXIAL-63-6T | 900 | 2.24 | 1.30 | 0.37 | 12350 | 64 | 91 | 2015 |
| WALL/AXIAL-71-4T IE3 | 1440 | 5.41 | 3.11 | 1.50 | 22150 | 78 | 116 | 2015 |
| WALL/AXIAL-71-6T IE3 | 940 | 3.36 | 1.93 | 0.75 | 17300 | 66 | 112 | 2015 |

WALL/AXIAL



| Model | A | B | F | G | x1 | J1 | J2 | K1 | K2 |
|---------------|-----|-----|------|------|-----|------|-----|------|-----|
| WALL/AXIAL-40 | 645 | 595 | 730 | 730 | 400 | 700 | 200 | 700 | 200 |
| WALL/AXIAL-45 | 645 | 645 | 730 | 730 | 405 | 700 | 200 | 700 | 200 |
| WALL/AXIAL-50 | 695 | 695 | 825 | 825 | 455 | 790 | 220 | 790 | 220 |
| WALL/AXIAL-56 | 695 | 695 | 825 | 875 | 485 | 840 | 220 | 790 | 220 |
| WALL/AXIAL-63 | 995 | 995 | 1085 | 1085 | 480 | 1050 | 300 | 1050 | 300 |
| WALL/AXIAL-71 | 995 | 995 | 1085 | 1085 | 480 | 1050 | 300 | 1050 | 300 |