

Fan Louvre Shutters

Automatic Version / Type WSK EX  (explosion-proofed)

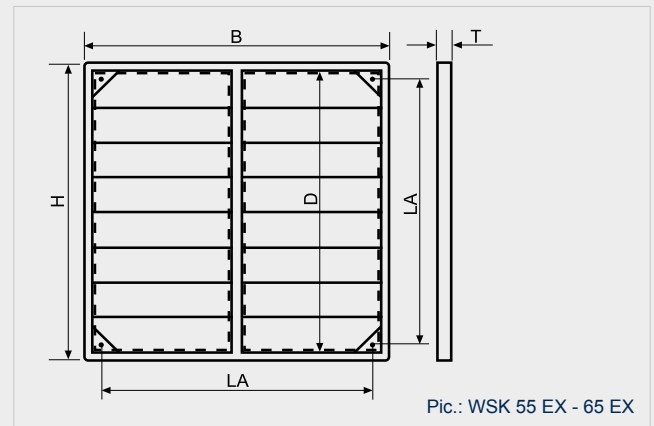
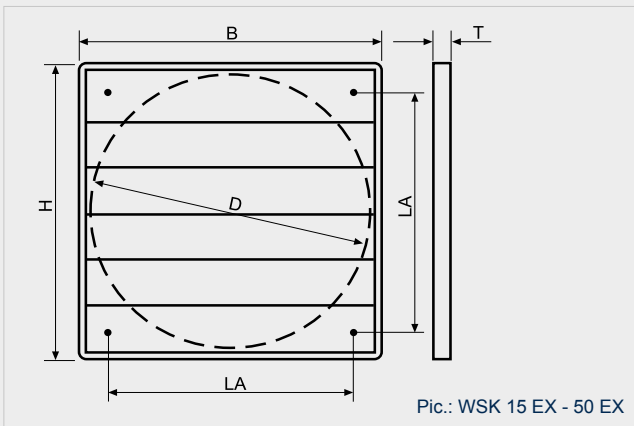


- Explosion-proofed fan louvre shutter to be used in connection with an equipment that fulfills the ATEX guide-line 94/9/EG
- Proofed according IEC 93/VDE 0303 part 30 and admitted for the following explosion-endangered areas (according to EXAM 1100/101/06 BVS-BI):
 - Gas or solvent vapour / air mixtures: zone 1 and zone 2
 - Dust- / air mixtures: zone 21 and zone 22
- Possible applications: accumulator stations, food and allied industries, textile factories, production, crushing and installation factories in explosion-endangered areas
- Suitable for an operating temperature range of -30°C to +60°C
- Maximum flow velocity 10 m/s
- Opening angle 85°
- Number of blades varies according to the size of the shutter
- WSK 55 EX - 65 EX divided by a middle strap



Pic.: WSK 40 EX

- The shutter has to be installed by experts and has to be earthed acc. to VDE-guide-lines
- Each louvre shutter is individually carton-packed incl. a set of fastening parts (hole size 5 mm)
- Pressure drop diagram (**see page 8**)
- Explosion-proofed shutters are also available in larger sizes as type WSK 70 EX - WSK 110 EX (**see page 9** for dimensions and drawing)
- Available as special fabrication (WSK-S EX) in all sizes, other fabrications on demand



Type	Article-No. black	D	H/B	LA	T	Free cross-section (cm ²)
WSK 15 EX	60000030	160	195	140	22	196
WSK 20 EX	60000040	209	242	182	21	336
WSK 25 EX	60000050	258	294	232	26	507
WSK 30 EX	60000060	309	346	276	25	732
WSK 35 EX	60000070	359	396	311	25	987
WSK 40 EX	60000080	422	462	366	26	1356
WSK 45 EX	60000090	462	501	396	30	1626
WSK 50 EX	60000100	505	548	443	30	1942
WSK 55 EX*	60000110	564	604	522	28	3019
WSK 65 EX*	60000120	655	696	628	30	3969

Dimensions in mm. Subject to technical changes.

black ~ RAL 9005
* with middle strap